

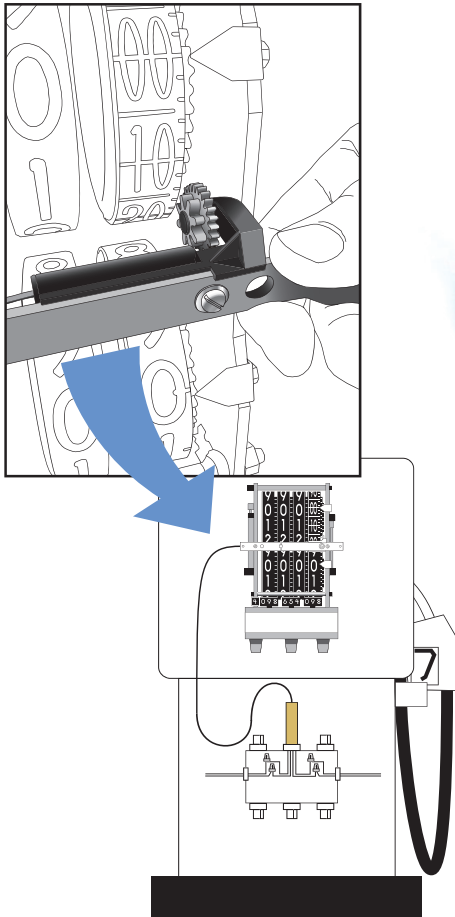
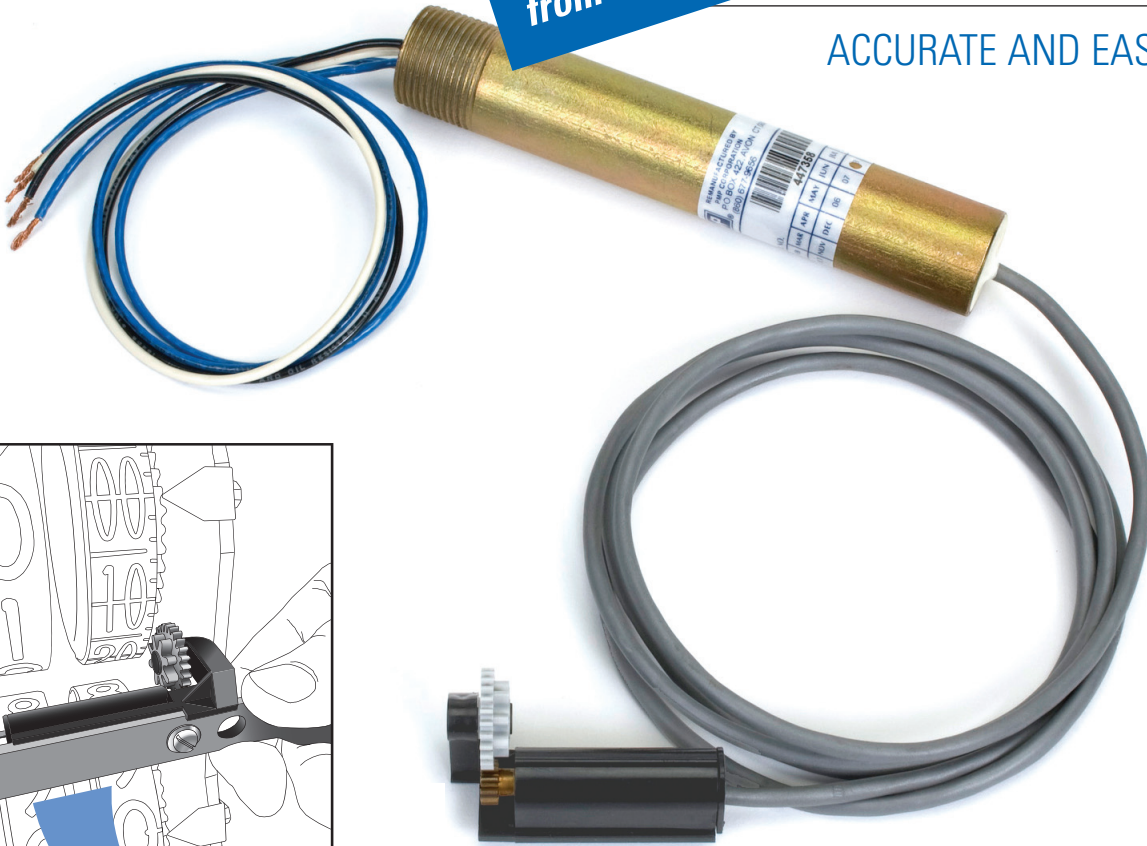


NEW
from PMP!

PMP Rapid-Fire™ Pulser

ACCURATE AND EASY TO INSTALL

PMP #48501



The PMP Rapid-Fire Pulser is a sensor and barrier for use on gasoline pumps with VR-10 mechanical computers and non-computers.

PMP Rapid-Fire Pulser is very accurate.

- Sensor generates 100 pulses per dollar on VR-10 or per gallon on non-computers.
- Anti-backlash bearing prevents false pulses due to wheel bounce.
- Barrier circuitry virtually eliminates false start-up and shutdown pulses.
- Designed to meet or exceed the operating specifications of the VR-10 computer. Easily handles high operating speeds required by high price per gallon and high flow rate applications!

PMP Rapid-Fire Pulser is easy to install.

- No need to remove the computer from the pump.
- Easily fits in pumps with two computers.
- The sensor mounts easily on computer tie bar.
- Built-in surge suppressor.

Intrinsically safe design.

- No need for explosion proof conduit or M.I. cable.

One-year warranty from date of installation.