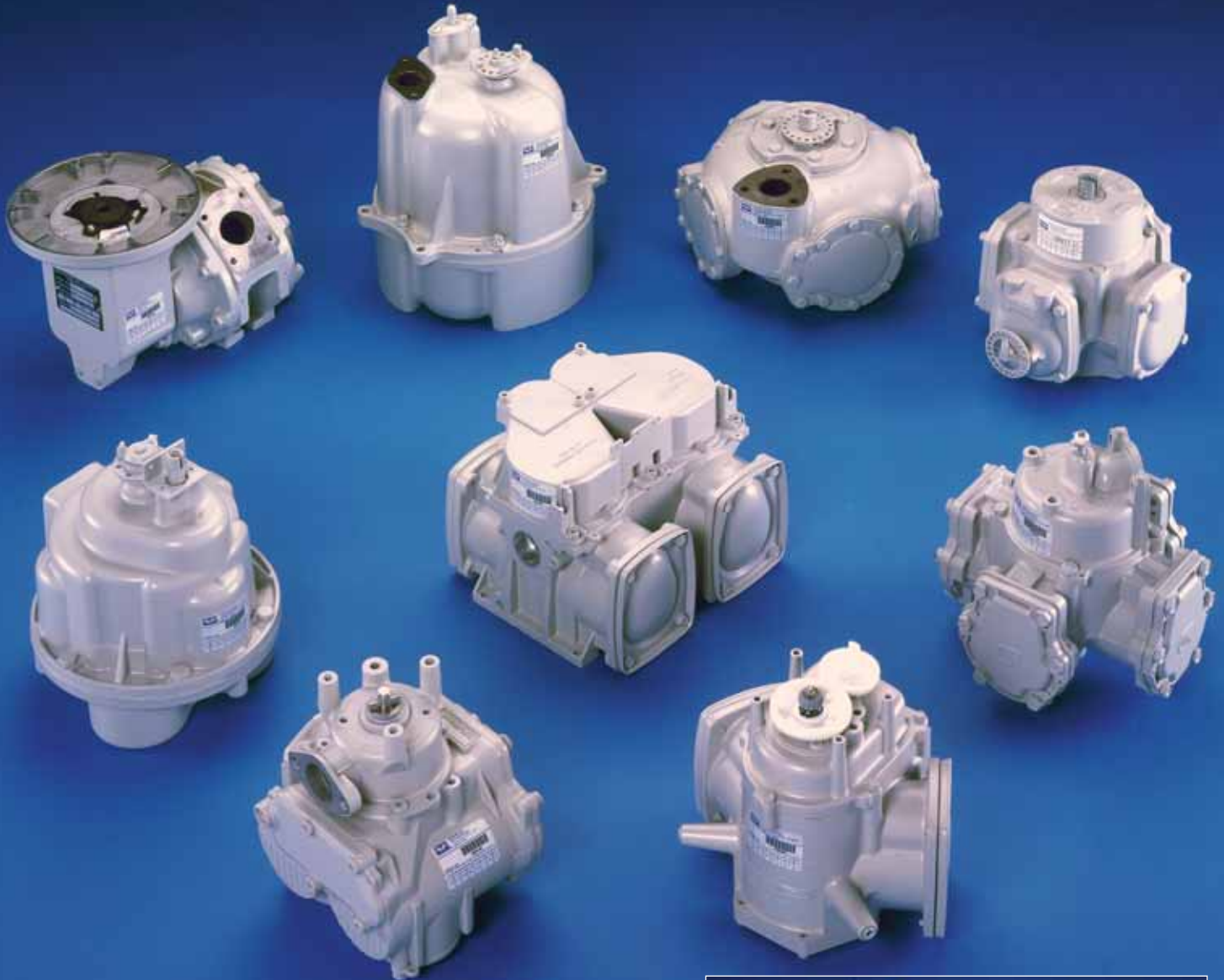




Meter and Pumping Unit Identification Manual



Introduction

This Meter and Pumping Unit Identification Manual is intended to be a guide to aid you in obtaining the meter and pumping unit that you need. The most common meters and pumping units that our firm rebuilds are included here. Our remanufactured meters and pumping units are guaranteed for workmanship and materials for one year from date of installation. New inlet and outlet gaskets or o-ring seals are furnished. PMP products are available through petroleum equipment distributors.

Table of Contents

ORIGINAL MANUFACTURER	PAGES
Bennett	2-4
Blackmer	4
Gasboy	5
Gilbarco	6-9
Liquid Controls	10-11
Schlumberger, Southwest	12-13
A.O. Smith, Universal Epsco, Koppens	13-14
Tokheim	15-17
Wayne	17-21
Customer Service	22
Shipping Weights	22

OUR MISSION

is to provide remanufactured products that
perform better than new.

Bennett® Meters



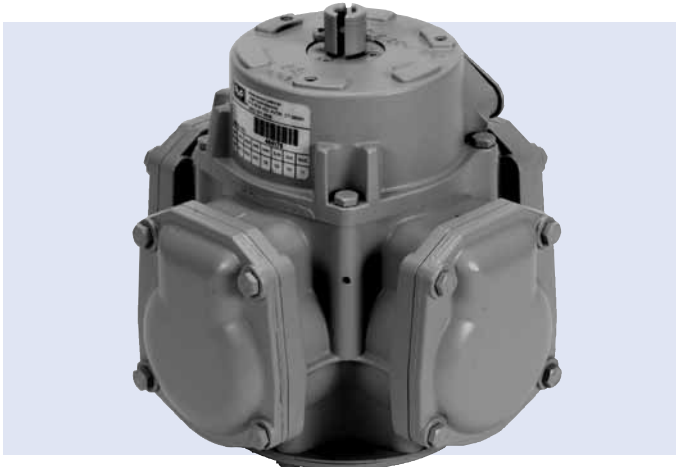
Bennett SB-100

U.S. Gallons (8:1 ratio)

MFG#	PMP#
N723501 (101187)	21000

Liters (2:1 ratio)

MFG#	PMP#
N723502 (101189)	21021



Electronic Calibration (no calibration dial)

MFG#	PMP#
N723505	21022

All manufacturers' numbers, names, trade names, trademarks and descriptions used here are for reference purposes only. None of the rebuilt items listed in this manual is the product of the identified manufacturers.



Bennett 4000 (Type 40)

MFG#	PMP#
H607001	21001
Vizi Glass	21003



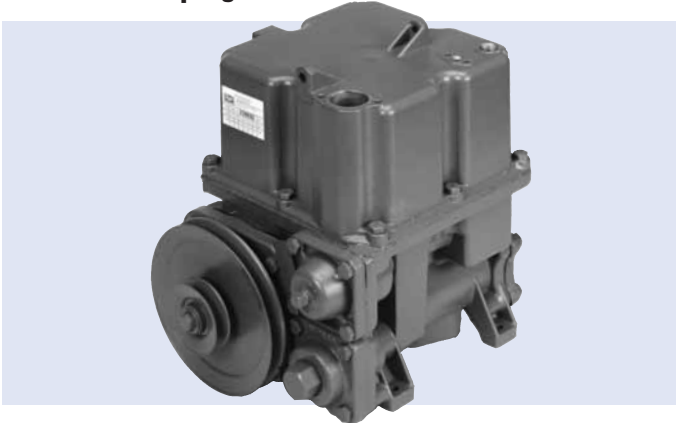
Bennett 2000 & 3000

MFG#	PMP#
E-1036 / H-1608	21002
Vizi Glass	21004

Bennett 2000/3000/4000 meter details:

- 4000 series has stamped sheet metal (flat discs) adjustment dials
- 2000/3000 series has solid die cast adjustment dials
- Vizi Glass has one plug prepared for installation in Canada
- 8 revolutions per gallon

Bennett® Pumping Units



Type 75 - Electronic

MFG#	PMP#
N190730S (190730)	21013

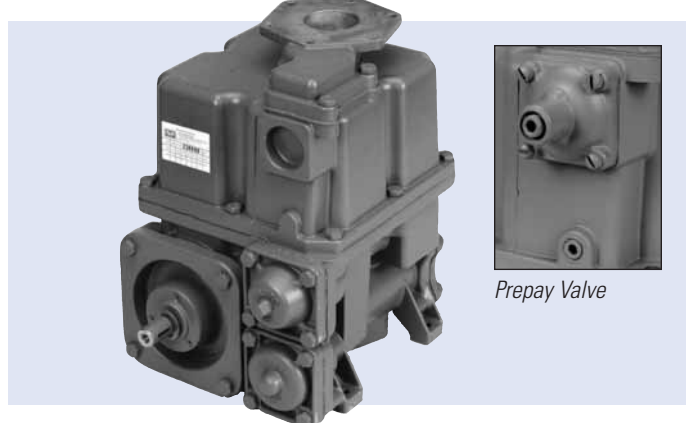
- 2 bolt outlet flange, two “ears” on dome

Bennett® Pumping Unit for Gilbarco Application

Global Pumping Unit

MFG#	PMP#
M04920B001	22018
M04920B002	
M04920B003	

- 2 bolt outlet flange, two “ears” on dome
- For Gasboy K-series and Gilbarco pumps from 4/06 onward



Prepay Valve

Type 75 - Standard

MFG#	PMP#
N190701S (190701)	21011

- 4 bolt outlet flange, flat top dome
- Used in single product / single hose or dual product / dual hose pumps with 1/3 h.p. motors

Type 75 - Standard with Prepay Valve

MFG#	PMP#
N190703S (190703)	21014

- 4 bolt outlet flange, flat top dome
- Used in single product / single hose or dual product / dual hose pumps with 1/3 h.p. motors
- Prepay valve attached

Type 75 - Heavy Duty

MFG#	PMP#
N190702S (190702)	21012

- 4 bolt outlet flange, flat top dome
- Used in single product / dual hose pumps with 3/4 h.p. motors

Type 75 - Heavy Duty with Prepay Valve

MFG#	PMP#
N190704S (190704)	21015

- 4 bolt outlet flange, flat top dome
- Used in single product / dual hose pumps with 3/4 h.p. motors
- Prepay valve attached

All manufacturers' numbers, names, trade names, trademarks and descriptions used here are for reference purposes only. None of the rebuilt items listed in this manual is the product of the identified manufacturers.

Bennett® Pumping Units



Type 70 - Standard

MFG#	PMP#
J1957-01	21008

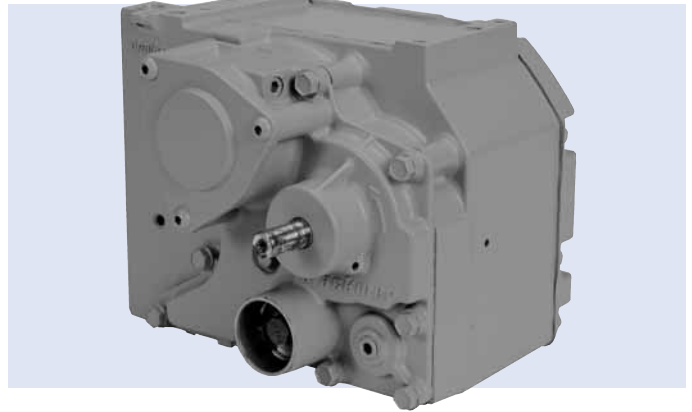
- Used in single product / single hose or dual product / dual hose pumps with 1/3 h.p. motors

Type 70 - Hi-Delivery

MFG#	PMP#
J1957-02	21010

- Used in single product / dual hose pumps with 3/4 h.p. motors

Blackmer® Pumping Units



Bottom Inlet (1-1/2" NPT Threaded)

MFG#	PMP#
M00955B204 (Gilbarco)	28040
049785 (Gasboy)	28040

- Threaded inlet on bottom
- Dual float

Bottom Inlet (1-1/2" NPT Threaded)

MFG#	PMP#
M00955B207 (Gilbarco)	28041
M00955B201 (Gilbarco)	

- Threaded inlet on bottom
- Single float

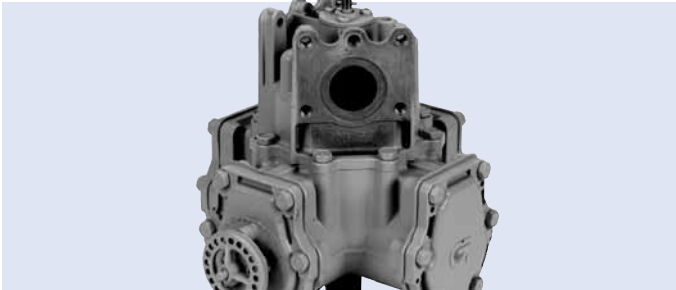
Rear Inlet (2 bolt flange)

MFG#	PMP#
M00955B208 (Gilbarco)	28042
049786 (Gasboy)	

- Flange inlet adjacent to outlet
- Dual float

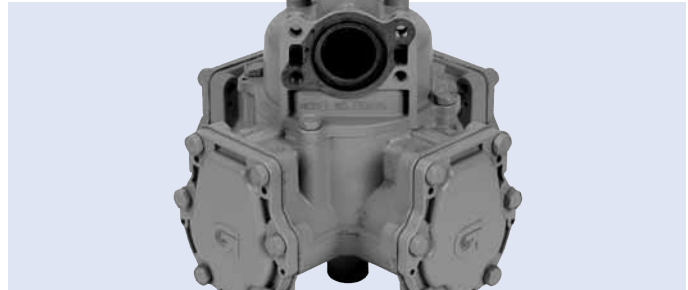
All manufacturers' numbers, names, trade names, trademarks and descriptions used here are for reference purposes only. None of the rebuilt items listed in this manual is the product of the identified manufacturers.

Gasboy® Meters



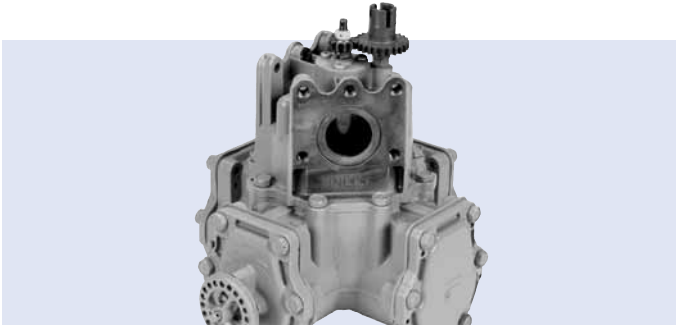
**K-Series "CFT" Meter
Electronic with Manual Calibration**

MFG#	PMP#
T20150 G5	22024



**K-Series "CFT" Meter
Electronic with Electronic Calibration**

MFG#	PMP#
T19976 G2	22020



**K-Series "CFT" Meter
Used with Mechanical Computer, Gallons**

MFG#	PMP#
T20150 G6	22025



Q-Series Meter - Gallons 4:1

MFG#	PMP#
035743 / PA024NC108	22030

Used with Mechanical Computer, Liters 2:1

MFG#	PMP#
T20150 G7	22026

Q-Series Meter - Liters 2:1

MFG#	PMP#
035955 / PA024NC109	22031



Used in Models preceding 8500 Series

MFG#	PMP#
035485 / PA024NC10	22001

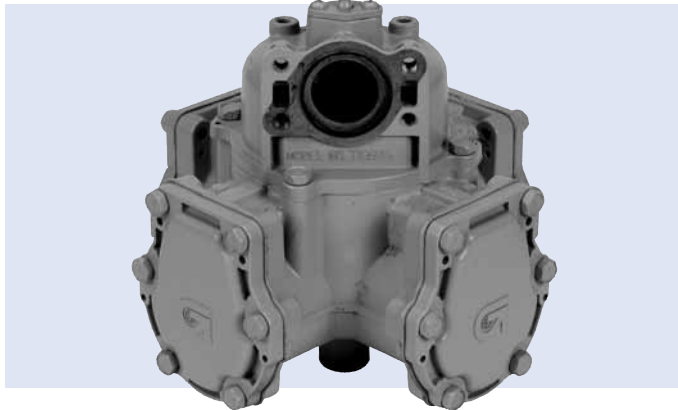


Used in Models 8500 through 9800A Series

MFG#	PMP#
035517 / 416873-37 / 407726-10	25001

All manufacturers' numbers, names, trade names, trademarks and descriptions used here are for reference purposes only. None of the rebuilt items listed in this manual is the product of the identified manufacturers.

Gilbarco® Meters



Gilbarco Encore®/Eclipse®

MFG#	PMP#
T19976 G2	22020

- Electronic Calibration

(Encore Ultra-Hi - see LC)



Gilbarco Legacy High-Flow

MFG#	PMP#
PA024TC26 / PA024TC27	22007

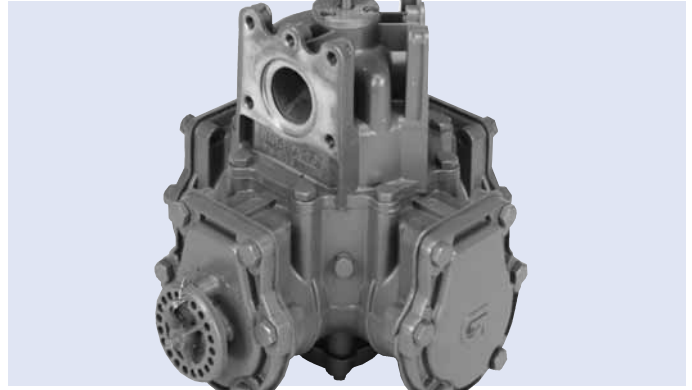
- Pulser pins directly to output shaft



Gilbarco Advantage® for Dispenser "A"- Side

MFG#	PMP#
PA024TC20	22008

- Discharge port is 90° to right of calibration dial
- Plastic swivel ball and pin on shaft



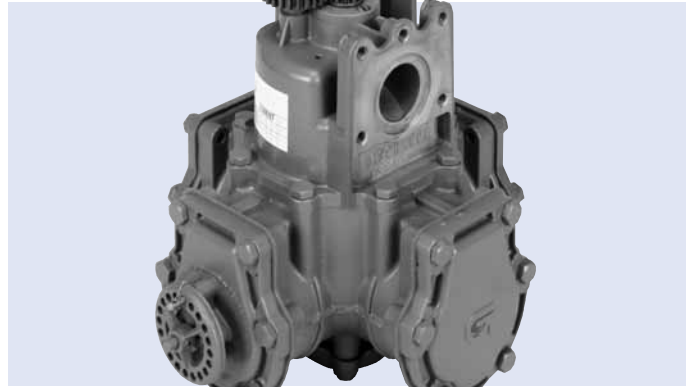
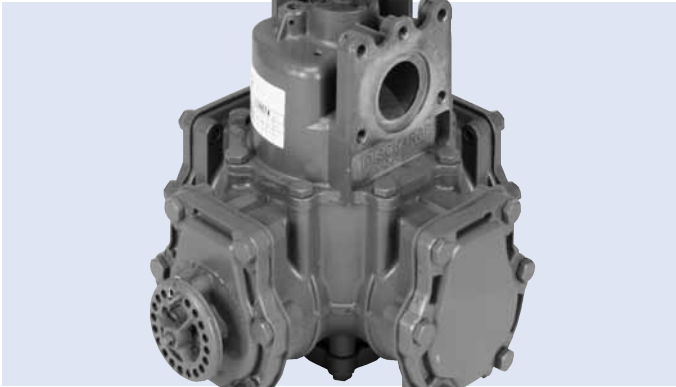
Gilbarco Advantage® for Dispenser "B"- Side

MFG#	PMP#
PA024TC21	22009

- Discharge port is directly above calibration dial
- Plastic swivel ball and pin on shaft

All manufacturers' numbers, names, trade names, trademarks and descriptions used here are for reference purposes only. None of the rebuilt items listed in this manual is the product of the identified manufacturers.

Gilbarco® Meters



Gilbarco MPD & Highline® - Electronic

MFG#	PMP#
PA024TC10 / PA024TA10	22003

- Single top gear for electronic drive
- Gear has 40 teeth

Gilbarco Trimline® - For Mechanical Computer

MFG#	PMP#
PA024NC10	22001

- Flanges have 5 boltholes
- Drive gear: 24 teeth
- Pinion gear: 12 teeth
- Drives mechanical computer

Imperial Gallons

MFG#	PMP#
PA024NC12B	22005

- Drive gear: 24 teeth
- Pinion gear: 10 teeth
- Drives mechanical computer

Liters 2:1

MFG#	PMP#
PA024NC14M	22023

- Drive gear: 21 teeth
- Pinion gear: 20 teeth
- Drives mechanical computer

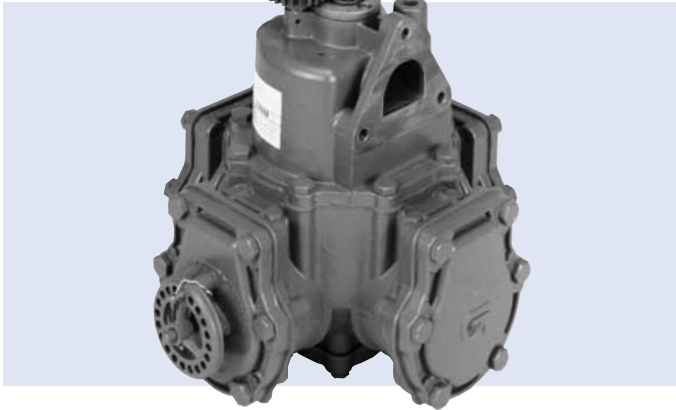
Liters 4:1

MFG#	PMP#
PA024NC12M	22022

- Drive gear: 20 teeth
- Pinion gear: 38 teeth
- Drives mechanical computer

All manufacturers' numbers, names, trade names, trademarks and descriptions used here are for reference purposes only. None of the rebuilt items listed in this manual is the product of the identified manufacturers.

Gilbarco® Meters



Gilbarco - "Old Style"

MFG#	PMP#
PA24G-xx	22002

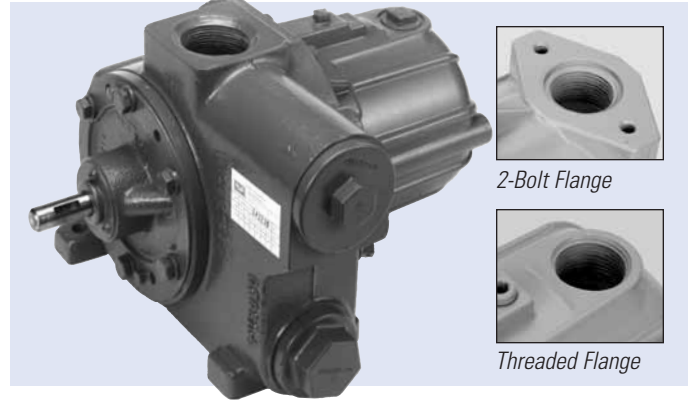
- Triangular flanges with 3 boltholes
- Gasket seal for the inlet and outlet flanges
- Drive gear: 24 teeth
- Pinion gear: 12 teeth
- Drives mechanical computer

Gilbarco - Imperial Gallons "Old Style"

MFG#	PMP#
PA24x-xx	22006

- Drive gear: 24 teeth
- Pinion gear: 10 teeth
- Drives mechanical computer

Gilbarco® Pumping Units



Gilbarco Vane - Standard Flow

MFG#	PMP#
PUS020-xx	22013

- Used in single product/single hose or two product/two hose pumps with 1/3 h.p. motors
- Typically 3/4" threaded outlet (specify if 1" threaded/or 2-bolt flange outlet)
- Strainer perpendicular to inlet
- Used in post-1987 Highline, Trimline & Legacy

Gilbarco Vane - High Flow

MFG#	PMP#
PUS020-xx	22014

- Used in single product/two hose pumps with 3/4 h.p. motors
- Typically 1" threaded outlet (specify if 3/4" threaded/or 2-bolt flange outlet)
- Strainer perpendicular to inlet
- Used in post-1987 Highline, Trimline & Legacy

All manufacturers' numbers, names, trade names, trademarks and descriptions used here are for reference purposes only. None of the rebuilt items listed in this manual is the product of the identified manufacturers.

Gilbarco Pumping Units



Gilbarco Vane - Standard Flow

MFG#	PMP#
PUS010-xx	22010

- Used in single product/single hose or two product/two hose pumps with 1/3 h.p. motors
- Typically 3/4" threaded outlet (specify if 1" outlet)
- Strainer adjacent to inlet
- Used in pre-1987 Highline and Trimline

Gilbarco Vane - High Flow

MFG#	PMP#
PUS010-20	22012

- Used in single product/two hose pumps with 3/4 h.p. motors
- Typically 1" threaded outlet (specify if 3/4" outlet)
- Strainer adjacent to inlet
- Used in pre-1987 Highline and Trimline

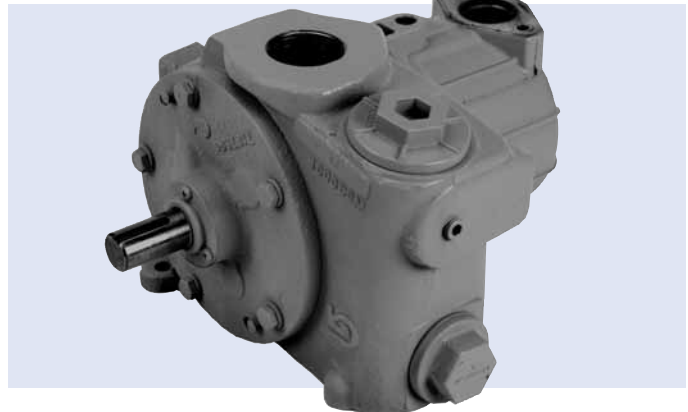
Similar to Bennett Type 75 Electronic shown on page 3.

Gilbarco Global Pumping Unit

MFG#	PMP#
M04920B001	22018
M04920B002	
M04920B003	

- 2 bolt outlet flange, two "ears" on dome
- For Gasboy K-series and Gilbarco pumps from 4/06 onward

All manufacturers' numbers, names, trade names, trademarks and descriptions used here are for reference purposes only. None of the rebuilt items listed in this manual is the product of the identified manufacturers.



Gilbarco "Gerotor" - Standard Flow

MFG#	PMP#
W03002-G17	22015

- Used in Advantage, optional in Legacy
- The only Gilbarco pumping unit with a 1" diameter pulley shaft

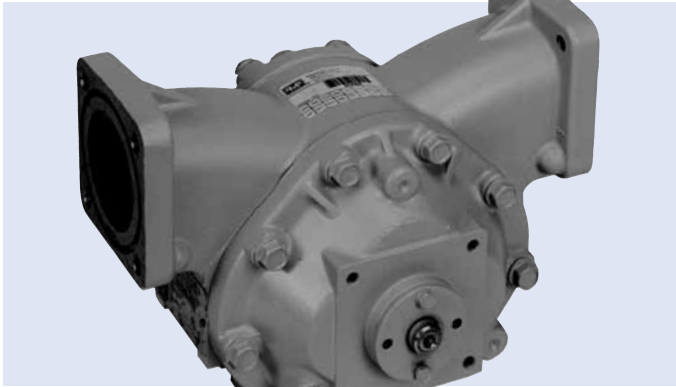


Gilbarco Rotor - High Gallonage

MFG#	PMP#
K80396	22011

- Used in the Trimline High Gallonage pump with a 3/4 h.p. motor
- Pulley shaft is 3/4" in diameter

Liquid Controls®

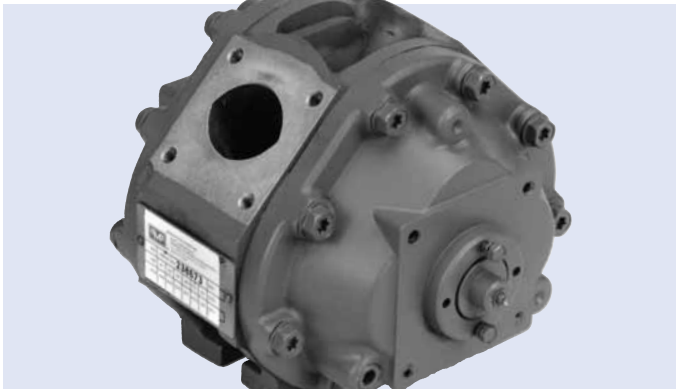


LC M-5

Direct Drive to Pulser (integrated "unibody" inlet/outlet flanges)

PMP# 28017

Dispenser	Mfg#	Dispensers
Gilbarco	M03171A001	Encore Ultra Hi® Electronic



LC M-5

Direct Drive to Pulser (pipe elbows attach to meter with cap screws post-1990 production)

PMP# 28009

Dispenser	Mfg#	Dispensers
Gilbarco	T18621-01	Highline Legacy® Ultra Hi® Electronic



LC M-5

2 - Screw Dust Cover

PMP# 28014

Dispenser	Mfg#	Dispensers
Bennett	N737601	7800 series Hi-Capacity
Gilbarco	T18767	Highline, Trimline Ultra Hi
Gasboy®	035434	Gasboy
Schlumberger	4100061	4600-4900 Series (note: flow is right to left)
Tokheim	3-419902	262A HV, 4600-4900 Series
Wayne	888921-001	



LC M-5

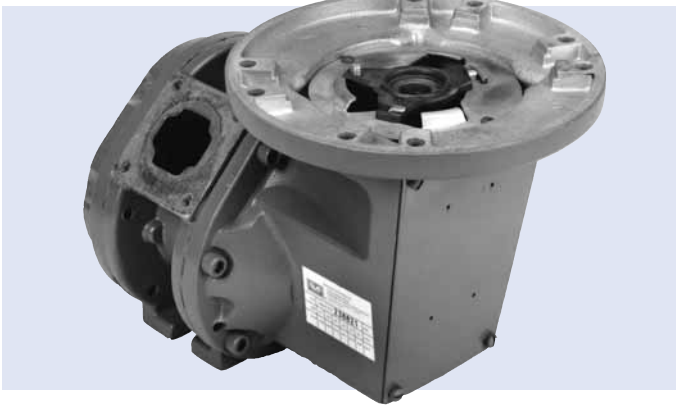
1 - Screw Dust Cover

PMP# 28012

Dispenser	Mfg#	Dispensers
Bennett	N737601	7800 series Hi-Capacity
Gilbarco	T18767	Highline, Trimline Ultra Hi
Gasboy®	035434	Gasboy
Schlumberger	4100061	4600-4900 Series (note: flow is right to left)
Tokheim	3-419902	262A HV

All manufacturers' numbers, names, trade names, trademarks and descriptions used here are for reference purposes only. None of the rebuilt items listed in this manual is the product of the identified manufacturers.

Liquid Controls®

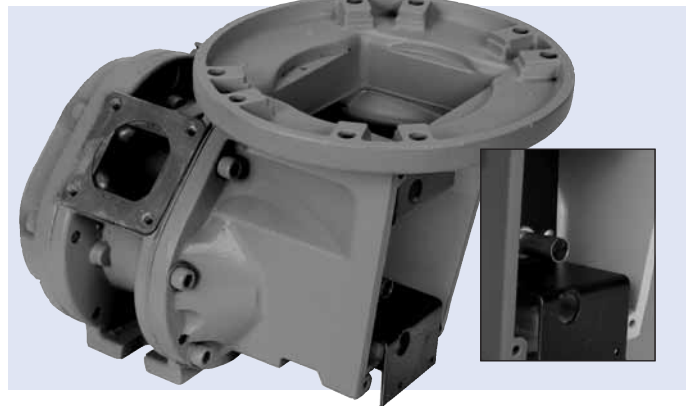


LC M-5

4 - Screw Dust Cover

PMP# 28010

Dispenser	Mfg#	Dispensers
Gilbarco	R18759-01	Highline, Trimline Ultra Hi
Gasboy®	035407	Gasboy
Tokheim	3-419902	262A HV

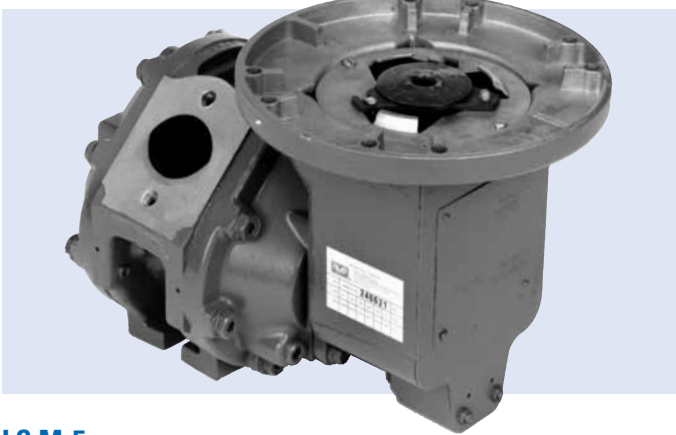


LC M-5

Direct Drive to Pulsar (pulser bracket mounted inside adjuster housing) Pre-1990 production

PMP# 28008

Dispenser	Mfg#	Dispensers
Gilbarco		

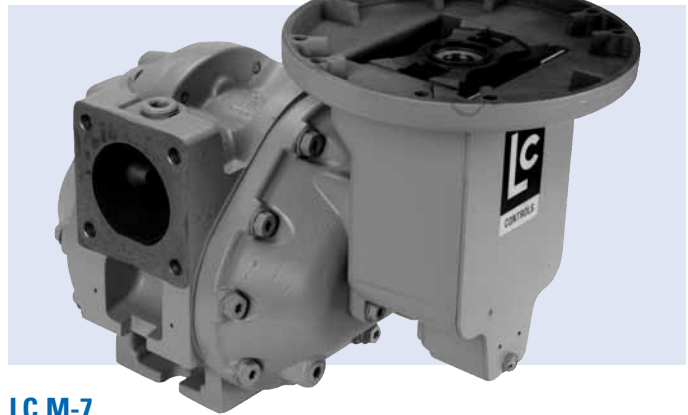


LC M-5

Inlet & Outlet Flanges Have 2 Bolt Holes (1 or 2 - Screw Dust Covers)

PMP# 28016

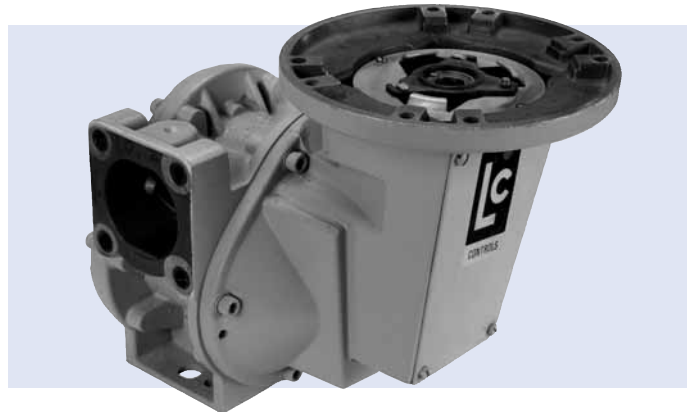
- Two 3/8" - 16 bolt holes on inlet & outlet flanges



LC M-7

1 - Screw Dust Cover

PMP# 28031



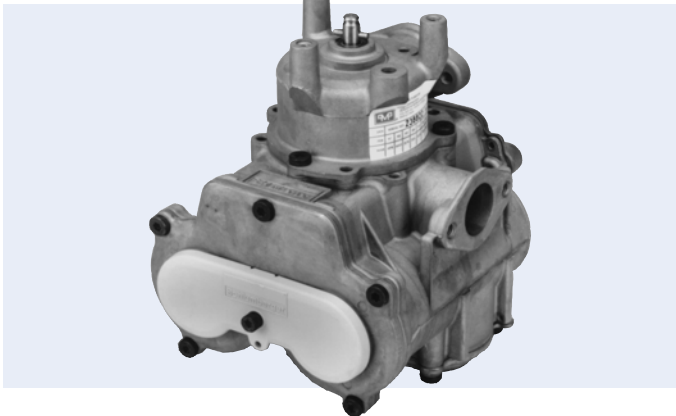
LC M-7

4 - Screw Dust Cover

PMP# 28030

All manufacturers' numbers, names, trade names, trademarks and descriptions used here are for reference purposes only. None of the rebuilt items listed in this manual is the product of the identified manufacturers.

Schlumberger® SM100A (Centurion®) Tokheim 100



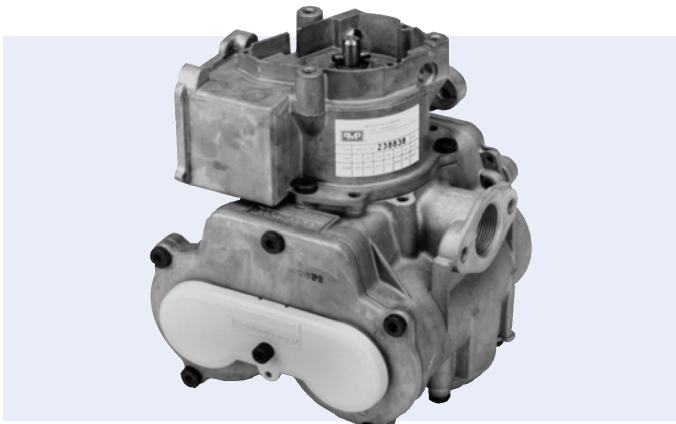
Centurion Non-threaded Outlet — pre February 1997 production

MFG#	PMP#
8100309	24020



Centurion Threaded Outlet — post February 1997 production

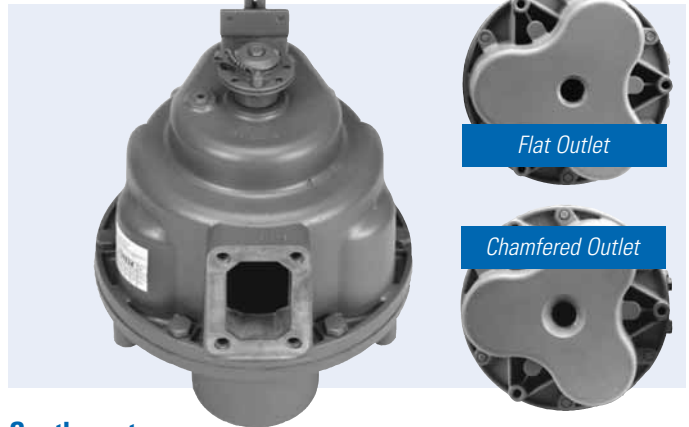
MFG#	PMP#
8100309	24021
<i>(interchangeable with 24022)</i>	



Centurion Threaded Outlet With Junction Box Dome

MFG#	PMP#
8100309	24022
<i>(interchangeable with 24021)</i>	

Southwest® - Schlumberger®



Southwest

MFG#	PMP#
E-400-3 (gallons 4:1) <i>(this model used in Schlumberger 4000 series dispensers)</i>	24001
E-400-4 (liters 4:1)	24005

- Flat outlet
- Manufactured after mid-1986
- Stamped metal adjusting dial assembly
- PMP units have a pulser mounting bracket

MFG#	PMP#
E-400-3 (gallons 4:1)	24003

- Chamfered outlet
- Manufactured before mid-1986



Southwest "Old Style"

MFG#	PMP#
E-400	24002

- Hexagonal cap over adjusting mechanism

All manufacturers' numbers, names, trade names, trademarks and descriptions used here are for reference purposes only. None of the rebuilt items listed in this manual is the product of the identified manufacturers.

Southwest® Pumping Units

Model 25LV-E - Standard Flow

MFG#	PMP#
31387-3	24010

- 3 1/2" long rotor housing (or 1 3/4" of shaft protrudes from pump body)
- For use with 1/3 h.p. motor, 3/4" hose


Model 35LV - Heavy Duty

MFG#	PMP#
31387-4	24011

- 4 1/2" long rotor housing (or 1 1/2" of shaft protrudes from pump body)
- For use with 3/4 h.p. motor, 1" hose
- For use with pump models having "-HD" suffix

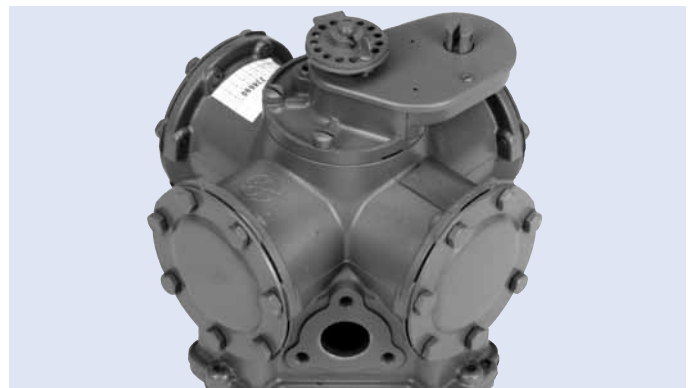
A.O. Smith® - Universal Epsco® - Koppens®

Electronic

MFG#	PMP#
7-140001-54	23004

- Opening in top of "dogleg" gearbox for electronic drive instead of coupling

Note the gearbox orientation in relation to side inlet port


Universal Epsco

MFG#	PMP#
(Model PM-2)	23009

- Gearbox in same position as on electronic drive
- Note the gearbox orientation in relation to side inlet port*

All manufacturers' numbers, names, trade names, trademarks and descriptions used here are for reference purposes only. None of the rebuilt items listed in this manual is the product of the identified manufacturers.

A.O. Smith® - Universal Epsco® - Koppens®

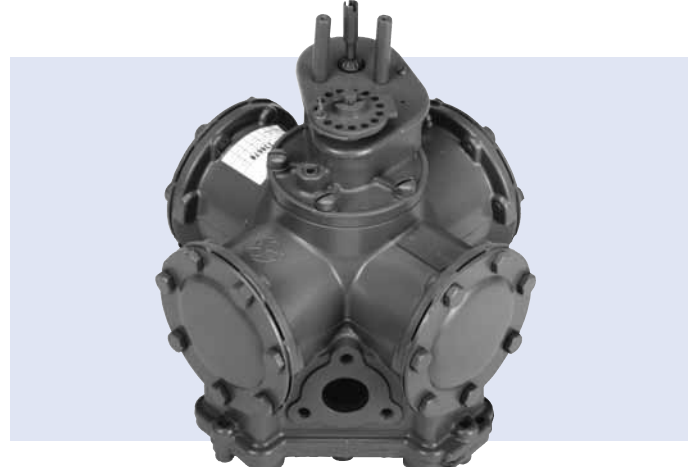


Cap Style A, "New Style"

MFG#	PMP#
7-140001-32	23001

- Offset "dogleg" gearbox

Note the gearbox orientation in relation to side inlet port



Koppens

MFG#	PMP#
For Koppens pumps	23008



Cap Style B, "Old Style"

MFG#	PMP#
7-140001-38	23002

- Straight gearbox

Note the gearbox orientation in relation to side inlet port

Universal Univision *(limited parts availability, no photo available)*

MFG#	PMP#
Unavailable	23010

- 4:1 liter output

All manufacturers' numbers, names, trade names, trademarks and descriptions used here are for reference purposes only. None of the rebuilt items listed in this manual is the product of the identified manufacturers.

Tokheim®



Tokheim 898 K - U.S. Gallons

MFG#	PMP#
407726-10 / 416873-37	25001



Tokheim 890 KK - U.S. Gallons

MFG#	PMP#
1-405565	25002

- Threaded inlet on side of meter opposite adjustment dial

Imperial Gallons

MFG#	PMP#
416873-25	25004

Liters 2:1

MFG#	PMP#
416873-32 / 410719-39	25005

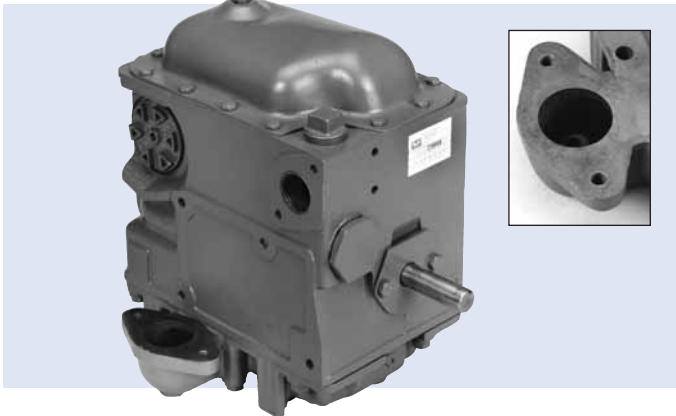
- Flanged outlet on top
- Machined by PMP to accommodate electronic gear trains and mechanical computers

Tokheim Figure #1-17 - PMP #25003-xx

- Tokheim has produced 17 different models.
- If you need assistance in identifying a model not shown here, please contact us.

All manufacturers' numbers, names, trade names, trademarks and descriptions used here are for reference purposes only. None of the rebuilt items listed in this manual is the product of the identified manufacturers.

Tokheim®/Gasboy® Pumping Units



Single Product / Single Hose Tokheim - Standard

MFG#	PUMP SERIES	PMP#
405952-39	(Multiple)	25100

Tokheim - High Speed

MFG#	PUMP SERIES	PMP#
405952-43	xxxx-HD/MC	25101

Gasboy - Standard

MFG#	PUMP SERIES	PMP#
48393	xx52	25100

Gasboy - High Gallonage

MFG#	PUMP SERIES	PMP#
48392	xx53	25101

- Facing pulley, inlet halfway up left side
- Flange faces up (no check valve seat)

Single Product / Two Hose

(one pump supplies two meters & hoses)

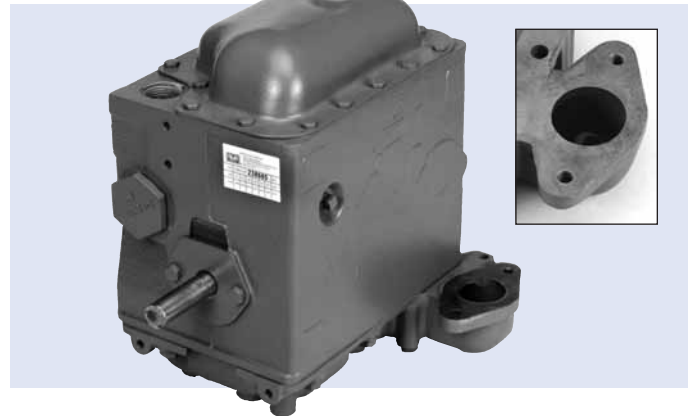
Tokheim

MFG#	PUMP SERIES	PMP#
405952-39	xxxx-1-TWIN	25101

Gasboy

MFG#	PUMP SERIES	PMP#
48392	xxxx-TW-1	25101

Note: There are many older Tokheim Pumping Unit models. Cores are required in advance for most of these.



Two Product / Two Hose Tokheim

MFG#	PUMP SERIES	PMP#
405952-52	xxxx-2-TWIN	25102

Gasboy - Standard

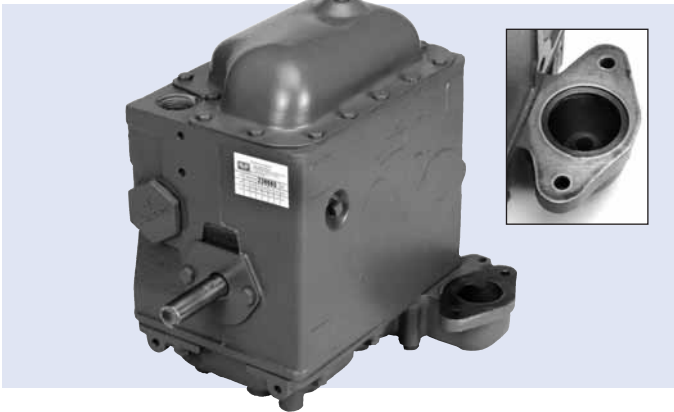
MFG#	PUMP SERIES	PMP#
48394	xx52TW-2	25102

Gasboy - High Gallonage

MFG#	PUMP SERIES	PMP#
48395		
405952-51	xx53TW-2	25105
421878-16		

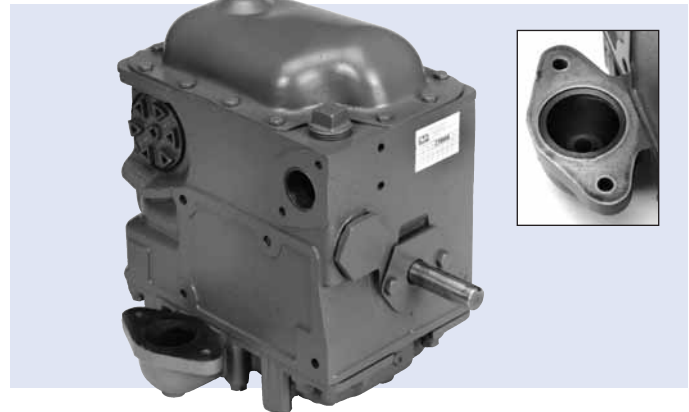
- Facing pulley, inlet at right rear corner
- Flange faces up (no check valve seat)

All manufacturers' numbers, names, trade names, trademarks and descriptions used here are for reference purposes only. None of the rebuilt items listed in this manual is the product of the identified manufacturers.

Tokheim®/Gasboy® Pumping Units

**One Product / Two Hose (right side inlet configuration)
Gasboy - High Gallonage with inlet check valve seat**

MFG#	PUMP SERIES	PMP#
048743	xx53TW1M xx53ATW1M	25107

- Facing pulley, inlet halfway up left side
- Flange faces up (with check valve seat)


**Two Pumps / Single Product / Single Meter / Single Hose
Tokheim**

MFG#	PUMP SERIES	PMP#
405952-42	xxxx-HS/HC	25104

Gasboy

MFG#	PUMP SERIES	PMP#
48080	xxxx-HC	25104

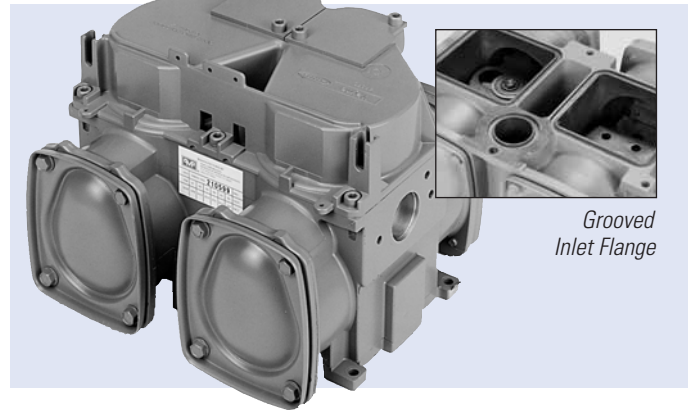
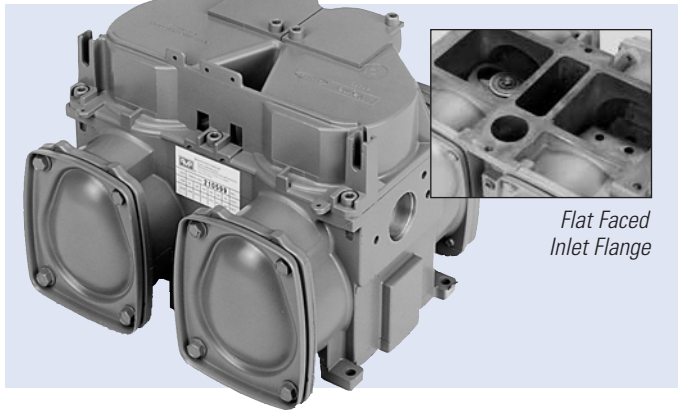
- Facing pulley, inlet halfway up left side
- Flange faces up (with check valve seat)

All manufacturers' numbers, names, trade names, trademarks and descriptions used here are for reference purposes only. None of the rebuilt items listed in this manual is the product of the identified manufacturers.

Wayne® Meters
Wayne iMeter Cross Reference Table

PMP #	Wayne iMeter Number(s)	Wayne Assembly Number(s) Containing iMeter	Date of Manufacture	Single-Sided [DM1] (or) Two-Sided [DM2]	Orientation of Single-Sided (when facing pulser)	Number on Meter Body Casting	Flat Bottom (or) With O-Ring Grooved Bottom (GB)	Other
26031	001-047916		Pre - 9/1999	Single-Sided	Right side (dispenser B side)	45574	O-Ring GB	
26032	001-047915 003-047915	003-047927	Pre - 9/1999	Two-Sided	—	45574	O-Ring GB	
26033	001-048016	001-047918 002-047919 012-047927 002-048016	9/1999 to present	Single-Sided	Right side (dispenser B side)	48014 or 48046	Flat Bottom	
26034	001-048015 008-048015	001-047903 001-047917 001-047919 005-047927 001-047927 002-048015	9/1999 to present	Two-Sided	—	48014 or 48046	Flat Bottom	
26035	006-048015		9/1999 to present	Two-Sided	—	48014 or 48046	Flat Bottom	(2) 1/8" NPT threaded ATC ports
26036	001-048036 007-048036		9/1999 to present	Single-Sided	Left side (dispenser A side)	48014 or 48046	Flat Bottom	

Wayne® Meters



iMeter

MFG#	PMP#
001-048015 / 008-048015	26034

- Flat faced inlet flange
- Two-sided meter
- Alternate ID: meter body casting marked "48014" or "48046"

MFG#	PMP#
001-048016	26033

- Flat faced inlet flange
- Single-sided meter (right side)
- Alternate ID: meter body casting marked "48014" or "48046"

MFG#	PMP#
001-048036 / 007-048036	26036

- Flat faced inlet flange
- Single-sided meter (left side)
- Alternate ID: meter body casting marked "48014" or "48046"

MFG#	PMP#
006-048015	26035

- Flat faced inlet flange
- Two-sided meter
- With 1/8" NPT threaded ATC ports
- Alternate ID: meter body casting marked "48014" or "48046"



ATC Ports

iMeter

MFG#	PMP#
001-047915 / 003-047915	26032

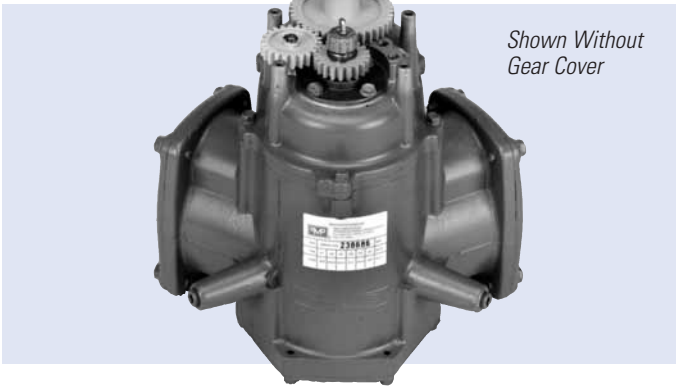
- Grooved inlet flange for o-ring seal
- Two-sided meter
- Alternate ID: meter body casting marked "45574"

MFG#	PMP#
001-047916	26031

- Grooved inlet flange for o-ring seal
- Single-sided meter (right side)
- Alternate ID: meter body casting marked "45574"

All manufacturers' numbers, names, trade names, trademarks and descriptions used here are for reference purposes only. None of the rebuilt items listed in this manual is the product of the identified manufacturers.

Wayne® Meters



Shown Without Gear Cover

2PM-4, 2PM-5, 2PM-6 - U.S. Gallons

MFG#	PMP#
046378 (2PM-6)	26002
44723 (2PM-5)	26001
43680 (2PM-4)	

- Three gears for mechanical computer dispensers
- Gear teeth: pinion - 20, idler - 22, drive - 40

2PM-6C - Imperial Gallons

MFG#	PMP#
02-39310	26006

- Three gears for mechanical computer dispensers
- Gear teeth: pinion - 17, idler - 24, drive - 41

2PM-6BE - Liters 2:1

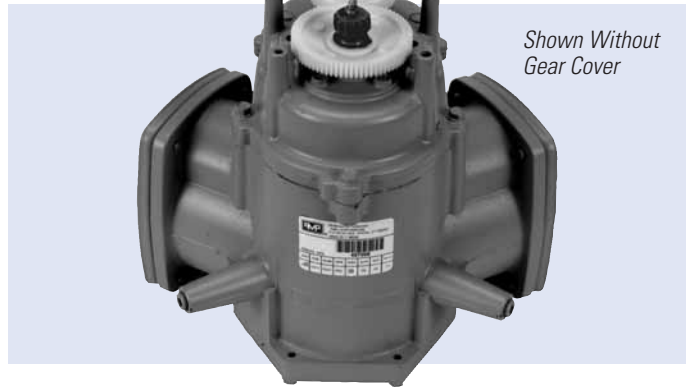
MFG#	PMP#
20-39310	26025

- Three gears for mechanical computer dispensers
- Gear teeth: pinion - 29, idler - 16, drive - 30; or pinion - 35, idler - 32, drive - 37

2PM-6E - Liters 4:1

MFG#	PMP#
03-39310	26026

- Two or three gears for mechanical computer dispensers
- Gear teeth: pinion - 30, idler - 14, drive - 16; or pinion - 65, drive - 34

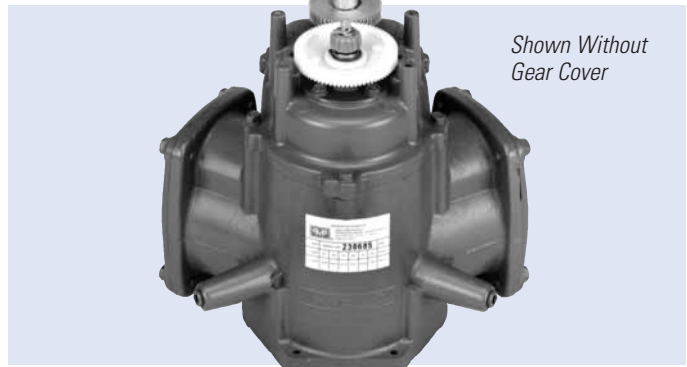


Shown Without Gear Cover

2PM-6K Electronic - U.S. Gallons

MFG#	PMP#
23-39310	26003

- Two gears for electronic computer dispensers
- Accepts check valve
- Gear teeth: pinion - 75, drive - 56 (plastic)



Shown Without Gear Cover

2PM-6-52 Electronic Hi-Speed

MFG#	PMP#
52-39310	26004

- Two gears for electronic dispensers
- Accepts inlet check valve
- Gear teeth: pinion - 75, drive - 56 (metal)

All manufacturers' numbers, names, trade names, trademarks and descriptions used here are for reference purposes only. None of the rebuilt items listed in this manual is the product of the identified manufacturers.

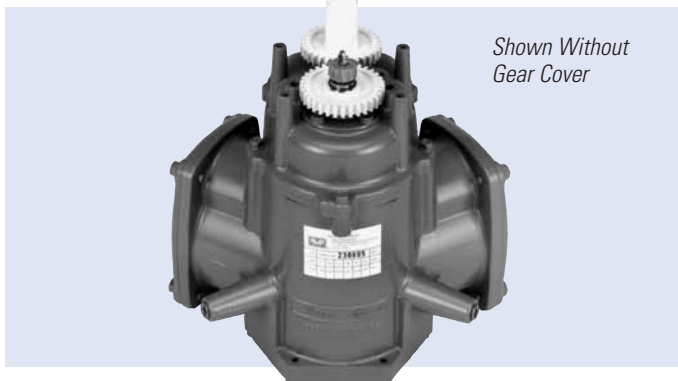
Wayne® Meters



2PM-6-48 Electronic Liters

MFG#	PMP#
48-39310	26000

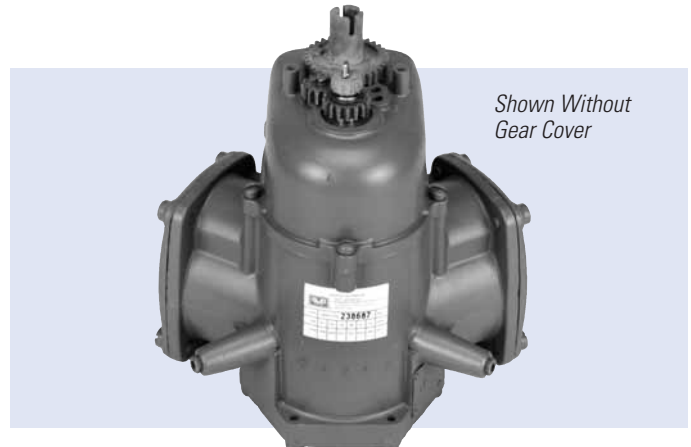
- Two gears for electronic dispensers
- Accepts inlet check valve
- Gear teeth: pinion - 76, drive - 15



2PM-4D, 2PM-5D, 2PM-6D - Blend

MFG#	PMP#
04-39310	26007

- Used in Wayne 511 blend pumps.
- Two gears
- Gear teeth: pinion - 33, drive - 33



2PM-3

- Dome is taller than newer models 4, 5 & 6
- All models with the same type of gears are interchangeable

2PM-3 - U.S. Gallons

MFG#	PMP#
42100	26009

- Three gears for mechanical computer dispensers
- Gear teeth: pinion - 16, idler - 14, drive - 32

2PM-3C - Imperial Gallons

MFG#	PMP#
Mfg# unknown	26010

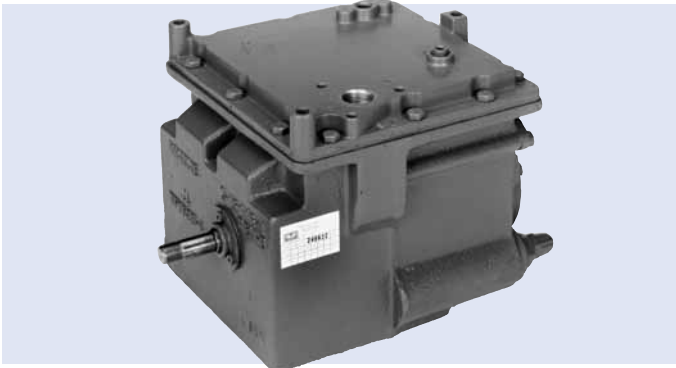
- Three gears for mechanical computer dispensers
- Gear teeth: pinion - 16, idler - 14, drive - 38

2PM-3D - Blend

MFG#	PMP#
36947	26008

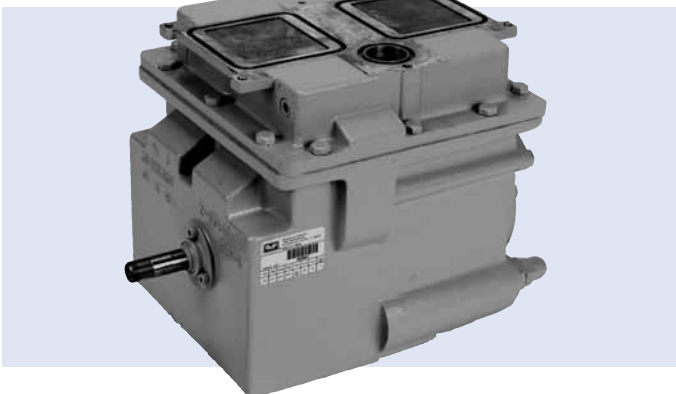
- Two gears
- Gear teeth: pinion - 33, drive - 33

All manufacturers' numbers, names, trade names, trademarks and descriptions used here are for reference purposes only. None of the rebuilt items listed in this manual is the product of the identified manufacturers.

Wayne® Pumping Unit

**Compact - For Vista & Century
Threaded outlet**

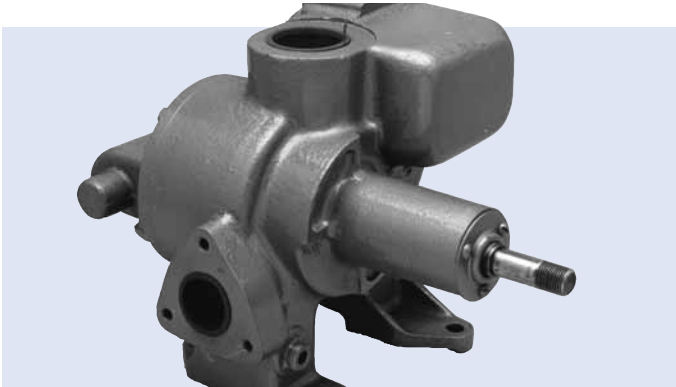
MFG#	PMP#
004-047579	26024

- Post 1995


**Compact - For Vista & Century
iMeter mounts directly to top of pump**

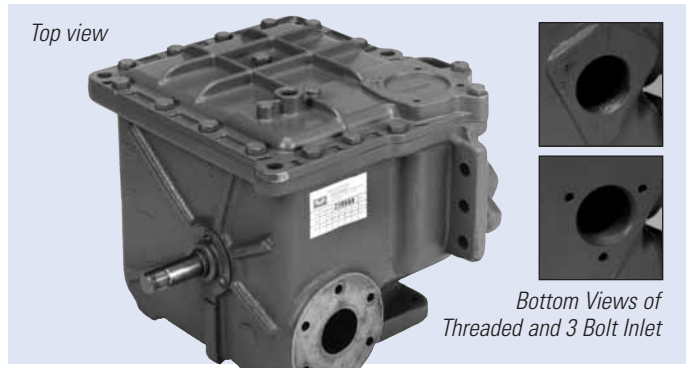
MFG#	PMP#
001-048018	26030

- Post 1995


"Kidney" Shape

MFG#	PMP#
41916 / 6-41916	26020

- Used in Wayne 511 blend pumps


Compact - Standard

MFG#	PMP#
22-44059	26021

- Threaded Inlet
- No float (internal)

Compact - Hi Capacity

MFG#	PMP#
23-44059	26022

- Threaded inlet
- With float (internal)
- Used in Decade 163, Series 362

Compact - Standard

MFG#	PMP#
15-44059	26019

- 3 bolt inlet flange
- No float (internal)
- Used in 162 Square Head, Series 330

Compact - Hi Capacity

MFG#	PMP#
16-44059	26023

- 3 bolt inlet flange
- With float (internal)
- Used in 162 square head, Series 330

All manufacturers' numbers, names, trade names, trademarks and descriptions used here are for reference purposes only. None of the rebuilt items listed in this manual is the product of the identified manufacturers.

Customer Service

- PMP has been providing excellence in remanufactured petroleum equipment since 1950.
- Our business is built on customer service.
- Our staff is dedicated to processing your orders promptly, courteously, accurately, and delivering on time!
- Our goal is to treat every customer as we want to be treated.

Toll Free Phone (800) 243-6628
 Phone (860) 677-9656
 Toll Free Fax (888) 674-0196
 Fax (860) 674-0196
 E-mail sales@pmp-corp.com
 Website www.pmp-corp.com

Shipping Weights

METERS/PUMPING UNITS	POUNDS	KILOGRAMS
Bennett SB-100 meter	12	5
Bennett 2000/3000/4000 meter	44	20
Bennett Type 70/75 pumping unit	36	16
Liquid Controls M-5 meter	19	9
Liquid Controls M-7 meter	28	13
Gilbarco meter	15	7
Gilbarco pumping unit	43	20
Schlumberger SM100A Centurion meter	12	5
A.O. Smith meter	16	7
Southwest meter	18	8
Southwest pumping unit	20	9
Tokheim meter	46	21
Tokheim pumping unit	75	34
Universal Epsco meter	16	7
Wayne iMeter	19	9
Wayne 2PM4/5/6 meter	11	5
Wayne Compact pumping unit	54	24

Note: Meters and pumping units must be completely drained, dried and sealed before shipping. Cap plugs and plates are available at no charge. Please contact PMP Customer Service.

All manufacturers' numbers, names, trade names, trademarks and descriptions used here are for reference purposes only. None of the rebuilt items listed in this manual is the product of the identified manufacturers.

Other Remanufactured Products

- Cash Drawers
- Credit Card Printers
- Electric Resets
- Journal & Receipt Printers
- Master Duplicators
- Mechanical Computers
- Non-Computers
- Pulsers
- Ticket Printers
- Vapor Recovery Pumps
- Visible Registers



— Reliability since 1950 —

PMP CORPORATION

OUR BUSINESS is remanufacturing gasoline station equipment.

OUR MISSION is to provide remanufactured products that *perform better than new.*

OUR VISION is to provide exceptional service, superior performance, at reasonable prices.

Products and services are available from distributors throughout the United States, Canada, Mexico and other countries around the world.