

Directions for Setting Price on VR-10 Computers

From \$0.000 to \$0.999 (1/10¢ Price Increment)

- 1) Set price wheels by positioning and fully engaging range arms (see Figure 1).
- 2) Move dollar shift lever to "central" position (see Figure 2).
- 3) Set price range shift lever in the "L" or "1/10" position (see Figure 3).
- 4) Dollar drive shaft vertical pin stays in place (see Figure 4).
- 5) Color coded idler gears not engaged (see Figure 5).
- 6) Dollar price wheel should be in "blank" position. If not, remove cotter pin, lift wheel, turn into position, lower wheel, replace cotter pin.

From \$1.000 to \$1.999 (1/10¢ Price Increment)

- 1) Set price wheels by positioning and fully engaging range arms (see Figure 1).
- 2) Move dollar shift lever to "100" position (see Figure 2).
- 3) Set price range shift lever in the "L" OR "1/10" position (see Figure 3).
- 4) Dollar drive shaft vertical pin stays in place (see Figure 4).
- 5) Color coded idler gears not engaged (see Figure 5).
- 6) Dollar price wheel should be in "1" position. If not, remove cotter pin, lift wheel, turn into position, lower wheel, replace cotter pin.

From \$2.000 to \$2.999 (1/10¢ Price Increment)

- 1) Set price wheels by positioning and fully engaging range arms (see Figure 1).
- 2) Move dollar shift lever to "200" position (see Figure 2).
- 3) Set price range shift lever in the "L" or "1/10" position (see Figure 3).
- 4) Dollar drive shaft vertical pin stays in place (see Figure 4).
- 5) Color coded idler gears not engaged (see Figure 5).
- 6) Dollar price wheel should be in "2" position. If not, remove cotter pin, lift wheel, turn into position, lower wheel, replace cotter pin.

From \$3.000 to \$3.999 (1/10¢ Price Increment)

- 1) Set price wheels by positioning and fully engaging range arms (see Figure 1).
- 2) Move dollar shift lever to "200" position (see Figure 2).
- 3) Set price range shift lever in the "L" OR "1/10" position (see Figure 3).
- 4) Remove dollar drive shaft vertical pin (see Figure 4 on page 3 and photos page 4)
- 5) White color coded gear engaged (see Figure 6).

Detail: Remove cotter pin. Remove gear group. Remove washer. Install black gear upside down on white gear. Install red gear on black gear. Install gear group on shaft. Install washer. Install cotter pin.

- 6) Move dollar price wheel to "3" position.

Detail: Remove cotter pin, lift wheel, turn into position, lower wheel, replace cotter pin.



PMP CORPORATION
P.O. Box 422 • 25 Security Drive
Avon, CT 06001

Local Tel: 860-677-9656
Local Fax: 860-674-0196
Email: sales@pmp-corp.com



Directions for Setting Price on VR-10 Computers

Web: www.pmp-corp.com © PMP Corp

From \$4.000 to \$4.999 (1/10¢ Price Increment)

- 1) Set price wheels by positioning and fully engaging range arms (see Figure 1).
- 2) Move dollar shift lever to "200" position (see Figure 2).
- 3) Set price range shift lever in the "L" or "1/10" position (see Figure 3).
- 4) Remove dollar drive shaft vertical pin (see Figure 4 on page 3 and photos page 4).
- 5) Red color coded gear engaged (see Figure 7).

Detail: Remove cotter pin. Remove gear group. Remove washer. Restack black and red gears upside down on green gear. Install white gear on black gear. Install gear group on shaft. Install washer. Install cotter pin.

- 6) Move dollar price wheel to "4" position.

Detail: Remove cotter pin, lift wheel, turn into position, lower wheel, replace cotter pin.

From \$5.000 to \$5.999 (1/10¢ Price Increment)

- 1) Set price wheels by positioning and fully engaging range arms (see Figure 1)
- 2) Move dollar shift lever to "200" position (see Figure 2).
- 3) Set price range shift lever position to the "L" or "1/10" position (see Figure 3).
- 4) Remove dollar drive shaft vertical pin (see Figure 4 on page 3 and photos page 4).
- 5) Black color coded gear engaged (see Figure 8).

Detail: Remove cotter pin. Remove gear group. Remove washer. Install black gear group upside down on green gear. Install white and red gears on black gear. Install gear group on shaft. Install washer. Install cotter pin.

- 6) Move dollar price wheel to "5" position.

Detail: Remove cotter pin, lift wheel, turn into position, lower wheel, replace cotter pin.

From \$0.000 to \$9.99 (1¢ Price Increment)

- 1) Set price wheels by positioning and fully engaging range arms (see Figure 1)
- 2) Move dollar shift lever to "central" position (see Figure 2).
- 3) Set price range shift lever clockwise in the "H" position or "1" position (see Figure 3).
- 4) Dollar drive shaft vertical pin stays in place (see Figure 4 on-page 3 & photos page 4)
- 5) Color coded idler gears not engaged (see Figure 5).
- 6) Move dollar price wheel to "blank" position.

Detail: Remove cotter pin, lift wheel, turn into position, lower wheel, replace cotter pin.



PMP CORPORATION
P.O. Box 422 • 25 Security Drive
Avon, CT 06001

Local Tel: 860-677-9656
Local Fax: 860-674-0196
Email: sales@pmp-corp.com
Web: www.pmp-corp.com



© PMP Corp

Directions for Setting Price on VR-10 Computers

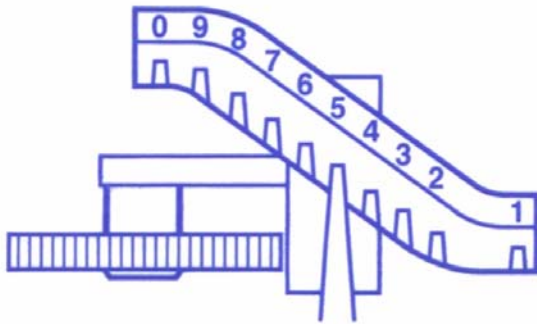


FIGURE 1

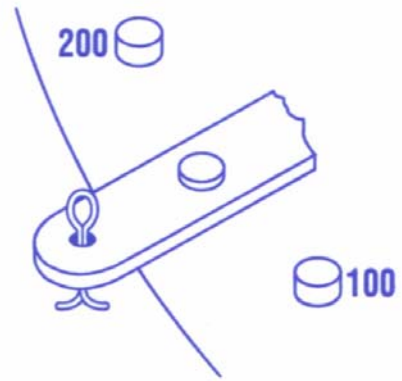


FIGURE 2



FIGURE 3

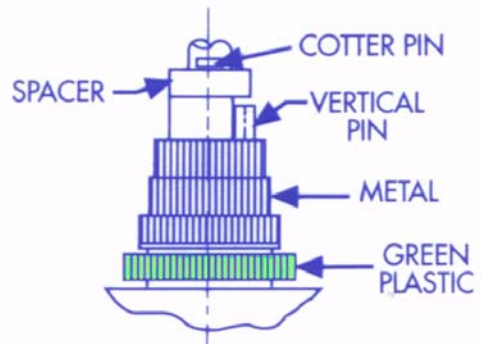


FIGURE 4

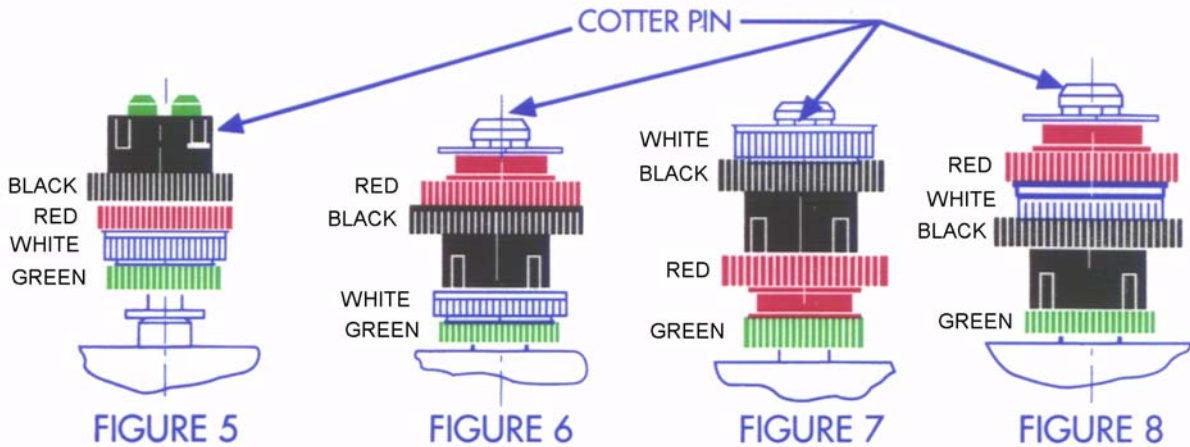


FIGURE 5

FIGURE 6

FIGURE 7

FIGURE 8



PMP CORPORATION
 P.O. Box 422 • 25 Security Drive
 Avon, CT 06001

Local Tel: 860-677-9656
 Local Fax: 860-674-0196
 Email: sales@pmp-corp.com
 Web: www.pmp-corp.com



© PMP Corp

Directions for Setting Price on VR-10 Computers

STEP 4 - IMPORTANT NOTICE

This computer has been factory-set with a price per gallon of **\$3.111**

If you **lower** the price to \$2.999 or **less** from any price \$3.000 or higher, make sure you **INSTALL THE DOLLAR DRIVE SHAFT VERTICAL PIN.** This is step #4 in the instructions. This computer has been shipped with the Vertical Pin in a plastic bag taped to the top of computer.

If the vertical pin is NOT installed, the dollar portion of the price will not be included in the calculated total. For example, a computer set at \$2.999 per gallon will actually calculate at \$0.999 per gallon without the vertical pin in place.

(Continue with the remainder of the instructions after completing this step.)



Remove cotter pin above spacer



Lift spacer, install Dollar Drive Shaft Vertical Pin



Lower spacer, re-install cotter pin

